

## QPA-18000-22000-35-13

18~22GHz, 35dB, 13dBm

**Features:**

- \* Small Size
- \* Low Power Consumption

**Applications:**

- \* Wireless
- \* Transmitter
- \* Laboratory Test

**Electrical**

|                      |             |
|----------------------|-------------|
| Frequency:           | 18~22GHz    |
| Gain:                | 35dB min.   |
| Gain Flatness:       | ±1.0dB typ. |
| Output Power (P1dB): | 13dBm min.  |
| Noise Figure:        | 3dB max.    |
| Spurious:            | -60dBc max. |
| Harmonic:            | -15dBc typ. |
| Input VSWR:          | 2.0 typ.    |
| Output VSWR:         | 2.0 typ.    |
| Voltage:             | +5V DC      |
| Current:             | 100mA typ.  |

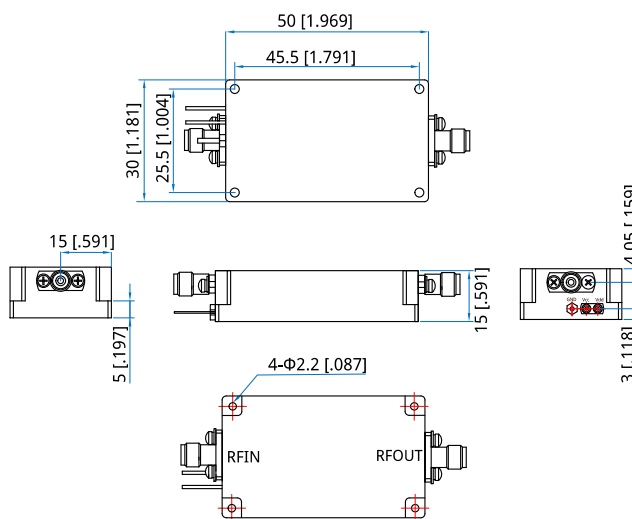
**Mechanical**

|                          |  |
|--------------------------|--|
| Size*1:                  | 50*30*15mm<br>1.969*1.181*0.591in            |
| RF Connectors:           | 2.92mm Female                                |
| Power Supply Connectors: | Feed Through/Terminal Post                   |
| Housing Material:        | Aluminum                                     |
| Mounting:                | 4-Φ2.2mm through-hole                        |
| Cooling:                 | External Heatsink (supplied on request only) |

[1] Exclude connectors.

**Environmental**

|                            |           |
|----------------------------|-----------|
| Operating Temperature:     | -20~+50°C |
| Non-operating Temperature: | -40~+85°C |

**Outline Drawings**


Unit: mm [in]

Tolerance: ±0.2mm [±0.008in]

**How To Order**

**QPA-18000-22000-35-13**

Customization is available upon request.